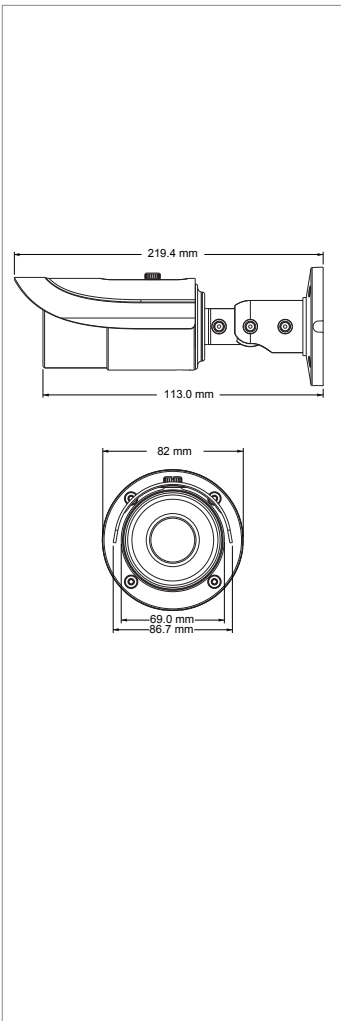


4MP IP Camera HS-T039RL

IVS



Dimension Unit : mm



Software

- 4MP (2592 x 1520)
- 2D/3D DNR / physical WDR
- Support smart phone, iPad, remote monitoring
- Support P2P
- ROI
- Audio:MIC INx1
- Video analysis:Object Removal / Exception / Line Crossing / Intrusion / Face Detection(To be released)

Hardware Specification

- 1/3" CMOS.
- Built-in IR Cut Removable.
- Aluminum Alloy Housing for Better Heat Dissipation.
- Built-in PoE.
- Class IP66 Weatherproof.
- 20~30M IR distance.

Specifications

Model	HS-T039RL
Compression method	H.265 / H.264 / MJPEG
Image Sensor	1/3" CMOS
Image Pixels	2592 x 1520
Resolution	4MP(2592x1520) / 3MP(2304x1296) / 1080P (1920x1080) / 720P (1280x720) / D1 / CIF
Triple streaming	S1: 4MP@30fps / 1920x1080@30fps S2: D1@30fps / CIF@30fps S3: D1@30fps / CIF@30fps
Bit Rate	64Kbps ~ 10Mbps
Stream transmission	CBR / VBR
Lens	Board Lens 3.6mm (optional:2.8mm)
Electronic Shutter	Auto 1/25 ~ 1/100,000 sec.
Min. Illumination	0 Lux (IR LED ON)
Storage	Network remote storage / Support TF card, the max capacity is 128 GB (class10 or above)
Alarm	Motion alarm
Audio	MIC INx1
LAN Port	Ethernet (10/100Base-T), RJ45 connector
IR Distance	20~30 M
ICR	Yes
PoE	Yes
Protocol	TCP/IP, UDP, DHCP, NTP, RTSP, PPPoE, DDNS, SMTP, FTP
Web Browser	Microsoft Internet Explorer 8.0 or above
Power Source	DC12V
Power Consumption	<2.5W
IR Consumption	<5W
Operating Temperature	-10°C~50°C, 10%~90% humidity
Dimension	219 x ø87 mm
Weatherproof	IP66