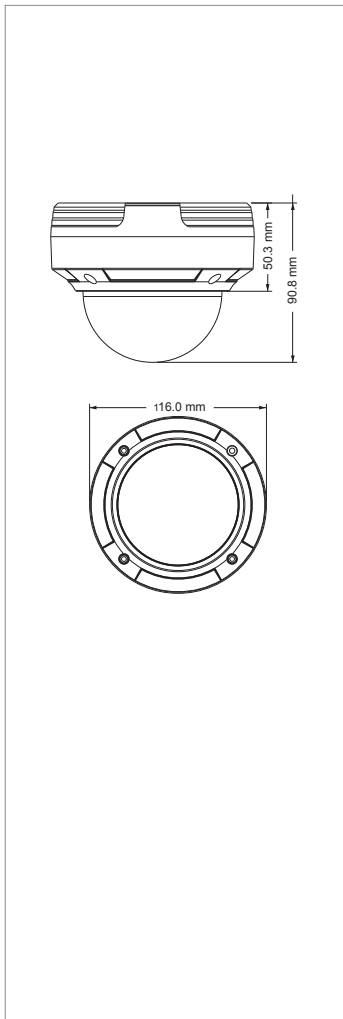


4M IP Camera HS-D041RN



Dimension Unit : mm



Software

- 4MP (2592 × 1520)
- 3D DNR, physical WDR
- ROI coding
- Support smart phone, iPad, remote monitoring
- Support P2P

Hardware Specification

- 1/3" CMOS.
- Built-in IR Cut Removable.
- Built-in PoE.
- Class IP66 Weatherproof.
- 20M IR distance

Specifications

Model	HS-D041RN
Compression method	H.265 / H.264 / MJPEG
Image Sensor	1/3" CMOS
Image Pixels	2688 x 1520
Resolution	4MP(2592x1520), 2K(2560x1440), 3MP(2304x1296), 1080P(1920x1080),720P(1280x720), D1, CIF, 480x240
Lens	Board Lens 3.6 mm@F1.6, angle of view:72° (6mm optional)
Min. Illumination	0.05 lux @ F1.2, AGC ON ; 0 lux with IR
Main Stream	4MP / 2K / 3MP / 1080P / 720P @ 25/30fps
Bit Rate	64Kbps ~ 10Mbps
Stream transmission	CBR / VBR
Electronic Shutter	Auto 1/25 ~ 1/100,000 sec.
IR Distance	20M
LAN Port	Ethernet (10/100Base-T), RJ45 connector
Protocol	TCP/IP , UDP , DHCP , NTP , RTSP , PPPoE , DDNS , SMTP , FTP
DNR	2D / 3D DNR
Storage	Network remote storage
Audio	MIC INx1
Alarm	Motion
Web Browser	Support Microsoft Internet Explorer 11
ICR	Yes
PoE	Yes
Power Source	DC12V / PoE
Power Consumption	< 2.5W
Operating Temperature	-10°C~50°C,10% ~90% humidity
Dimension	91 x ø116 (Diameter) mm
Weatherproof	IP66
Weight(net)	605g