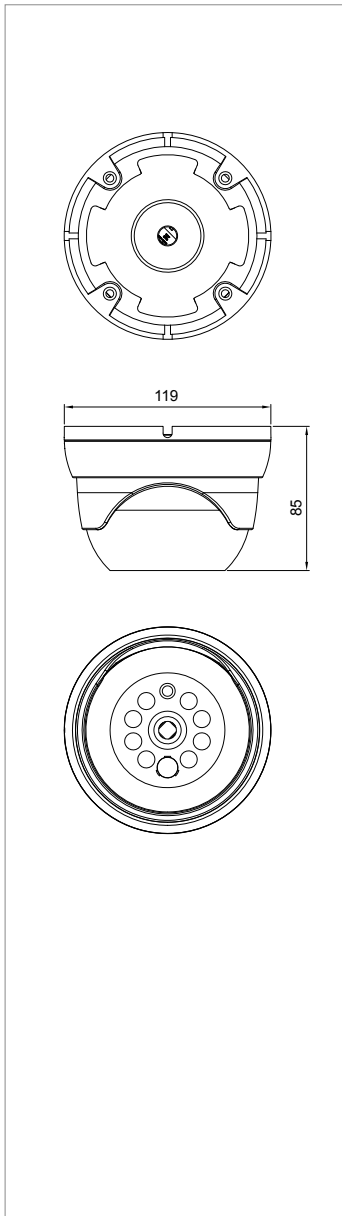


AHD Smart Camera

AHD Anti-Crime Smart Dual Light LED Camera HS-AHD-D002CE



Dimension Unit : mm



- AHD 1080P
- Board lens: 6mm
- Built-in IR Cut Filter, accurate focus for Day & Night.
- 3DNR / 2DNR

Advantage

1. Smart camera supported motion and PIR detection system with white light and IR LED.
2. Unlike other general IR cameras which can only present B/W image at night, exclusively design as a motion detection system to activate the white light LED within 3M~7M camera lens range distance in color image, in the other hand when IR is ON, shows B/W image only.
3. Power saving control, also it can be an auxiliary lighting and warning purpose.
4. Installation Field: Basement / Underground parking / Factory / Lane / Stairs / Passage / Courtyard / Enclosure.

Specifications

Model	HS-AHD-D002CE
Pick up device	1/3" SONY CMOS
Resolution	1920(H) x 1080(V)
Solution	2440H + SONY 323
Video Output	AHD
Lens	Board Lens : 6mm
S/N Ratio	More than 55 dB(AGC OFF)
Electronic Shutter	Auto 1/60 (1/50) ~ 1/50,000 sec / FLK
Min. Illumination	0.04Lux (F2.0 , AGC ON)
IR Distance	40M
IR Cut	YES
White Light Distance	<30M
White Light Trigger	8Lux
Motion Detect Range	3M
Motion Detect	Light change / Picture change
PIR Detect Range	7M
PIR Detect	Temperature
3-Axis	P-T-T (Pan-Tilt-Twist)
Power Source	DC12V ± 10% / 1A
Operating Temperature	-10°C ~ 50°C (14°F ~ 122°F)
Dimension	119(Diameter) x 85(D)mm
Weatherproof	IP66