

AHD Camera

4MP Dome Camera HS-AHD-D001AJ

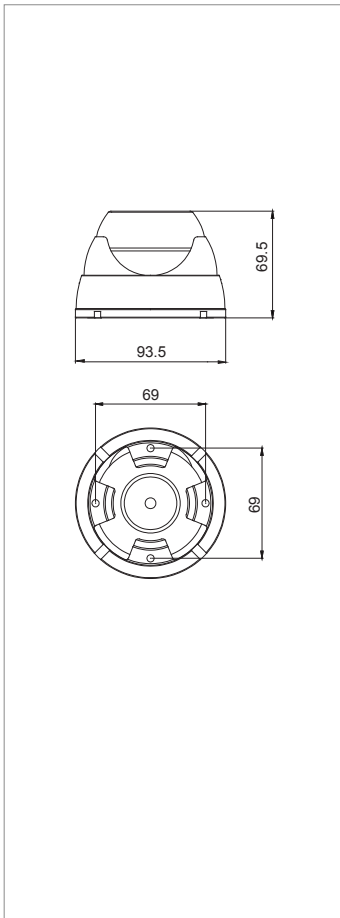


D001-White



D001-Silver

Dimension Unit : mm



- AHD 4MP (2688×1520) output
- Board lens: 4mm
- Support CoC (UTC) to operate OSD MENU
- 2DNR

Advantage

1. High video quality.
2. HD video transmission without video quality loss & delay.
3. Long transmission distance.
4. The same connection structure as original analogue system without cable (Coax / UTP) changing.

Specifications

Model	HS-AHD-D001AJ
Pick up device	1/3" CMOS : 4.0 Mega
Solution	2475H + OV4689
Resolution	2688(H) x 1520(V)
Video Output	AHD
Min. Illumination	0.01 lux
IR Distance	20M
Lens	Board Lens: 4mm
Electronic Shutter	Auto 1/60 (1/50) ~ 1/50,000 sec / FLK
S/N Ratio	More than 50 dB(AGC OFF)
2DNR	Yes
Control	CoC (Control Over Coaxial)
Power Source	DC12V ± 10% / 1A
Operating Temperature	-10°C ~ 50°C (14°F ~ 122°F)
Storage Temperature	-20°C ~ 70°C (-4°F ~ 158°F)
Dimension	69.5(H) x 93.5(Diameter) mm
Weatherproof	IP66