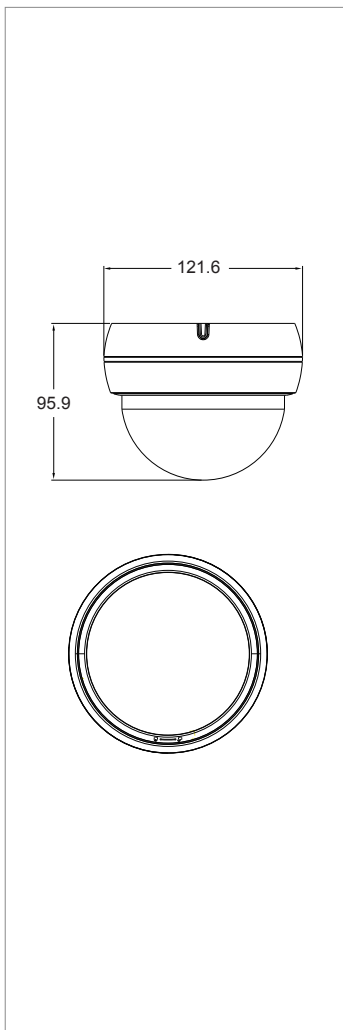


# 4MP IP Camera HS-D056RC



Dimension Unit : mm



- Software**
- 4MP H.265 full real time coding
  - 2D / 3D DNR
  - Support smart phone, iPad, remote monitoring
  - Support P2P
  - ROI coding

- Hardware Specification**
- 1/3" CMOS.
  - Built-in IR Cut Removable.
  - Built-in PoE.
  - 20M IR distance.

## Specifications

Model	HS-D056RC
Compression Method	H.265 / H.264 / M-JPEG
Image Sensor	1/3" CMOS
Image Pixels	2688 x 1520
Resolution	4MP / 2K / 3MP / 1080P / 720P / D1 / CIF / 480x240
Triple streaming	S1: 4MP@30fps / 1920x1080@30fps S2: D1@30fps / CIF@30fps S3: D1@30fps / CIF@30fps
Bit Rate	64Kbps ~ 10Mbps
Stream transmission	CBR / VBR
Lens	Vari-focal Lens: 3.3~12 mm @F1.4
Min. Illumination	0.05 Lux @F1.2, AGC ON; 0 lux with IR
Electronic Shutter	1/25 ~ 1/100,000 sec.
Storage	Network remote storage
DNR	2D / 3D DNR
WDR	120dB
Video Output	CVBS video output (BNCx1)
Audio Input	1
IR Distance	20 M
LAN Port	Ethernet (10/100Base-T), RJ45 connector
ICR	Yes
PoE	Yes
Protocol	TCP/IP, UDP, DHCP, NTP, RTSP, PPPoE, DDNS, SMTP, FTP
Web Browser	Microsoft Internet Explorer 8.0 or above
Power Source	DC12V
Power Consumption	< 4W
IR Consumption ON	< 6W
Operating Temperature	-10°C~50°C, 10%~90% humidity
Dimension	96 x ø122(Diameter) mm
Weight	336g