

# 4IN1 Camera

# 1080P Dome Camera HS-4IN1-D001AA/HS-4IN1-D002AA

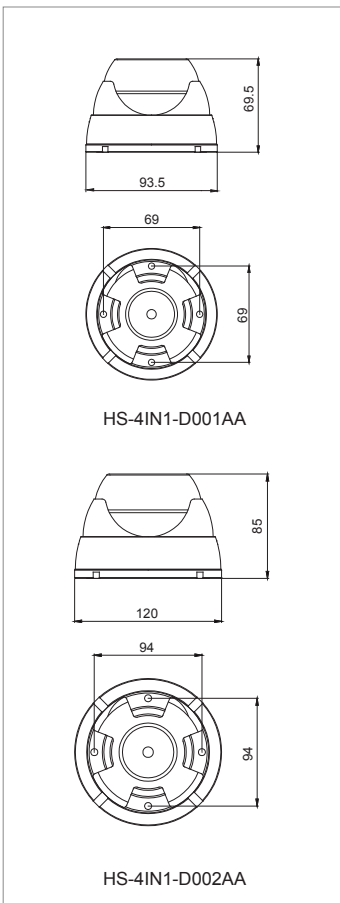


D001-white/silver



D002-white/silver

## Dimension Unit : mm



- Support CoC (UTC) to operate OSD MENU
- Board lens: 3.6mm
- Vari-focal Lens: 2.8~12 mm
- 2DNR / 3DNR

## Advantage

1. High video quality on HD 1080P.
2. HD video transmission without video quality loss & delay.
3. Long transmission distance.
4. The same connection structure as original analogue system without cable (Coax / UTP) changing.

## Specifications

Model	HS-4IN1-D001AA	HS-4IN1-D002AA
Pick up device	1/2.8" CMOS : 2.0 Mega	
Solution	2441H + SONY 323	
Resolution	1920(H) x 1080(V)	
Video Output	AHD / CVBS (optional : TVI / CVI)	
Synchronization	Internal	
Scanning System	2:1 Interlace	
S/N Ratio	More than 60 dB(AGC OFF)	
Video Output	1.0 Vp-p / 75 ohm composite	
Lens Type	Board Lens : 3.6mm	Vari-focal Lens: 2.8~12 mm
Control	CoC (Control Over Coaxial)	
Electronic Shutter	Auto 1/60 (1/50) ~ 1/50,000 sec / FLK	
Min. Illumination	0.01 Lux	
IR Distance	20M	40M
IR cut	Yes	
2DNR	Yes	
3DNR	Yes	
Coaxial Cable Transmission Distance (3C/5C)	300 / 500 M	
Twisted Cable Transmission (Cat 5.e standard)	200 M	
Power Source	DC12V ± 10% / 1A	
Operating Temperature	-10°C ~ 50°C (14°F ~ 122°F)	
Storage Temperature	-20°C ~ 70°C (-4°F ~ 158°F)	
Dimension	69.5(H) x 93.5(Diameter)mm	85(H) x 120(Diameter) mm
Weatherproof	IP66	