

H.264 Full HD Indoor Compact IR Dome IP Camera

- Full HD1080p @ 30fps
- Video Compression: H.264, MJPEG
- True Day/Night Switching and WDR
- Remote Zoom and Focus (One Click AF)**
- Built-in IR illuminator with Smart IR adjustment
- MicroSD/SDHC Memory Card Slot
- ONVIF Support, PoE (IEEE 802.3af)
- Embedded VCA Technology Video Analytics
- Burnt-in Text, Video Motion Detection



Specifications

CAMERA	
Model	RC3402HD-6211IR: Fixed focal lens RC3402HD-6311IR: Motorized Focus/ Zoom lens
Image Sensor	SONY EXMOR 1/2.9" 1080p CMOS
Effective Pixels	1920 x 1080
Scanning System	Progressive scanning
AGC Control	Auto, adjustable amplification level
Auto IRIS (DC)	6211IR not supported
	6311IR Iris control via camera unit
Minimum Illumination	6211IR Color: 1.0lux, - B/W: 0.00lux (IR LED On)
	6311IR Color: 0.3lux (DSS8), - B/W: 0.05lux (IR On)
Megapixel Lens 1/2.9" M19-Mount	6211IR 4.3mm, F2.0
	6311IR 3.0 – 9.0mm Zoom, F1.2-F2.3, DC Auto Iris, Motorized Focus & Zoom Control – One Click Focus Function
Angle of View	6211IR Horizontal: Approx. 74.4°; Vertical: Approx. 40.8°
	6311IR Horizontal: Approx. 110.8°(Wide) to 35.5°(Tele) Vertical: Approx. 57.7°(Wide) to 19.9°(Tele)
Shutter Time	1/10000s to 1/2s
Shutter Exposure Modes	Automatic - with configurable min/max shutter speed (exposure time range) Manual - with configurable fixed shutter speed Flicker-Control – 50Hz / 60Hz
Day & Night	Auto/Manual (both switching level adjustable 1 ~ 64) removable IR Cut Filter
Image Settings	Configurable brightness, contrast, saturation, sharpness, vertical flip & horizontal mirror function Corridor Mode (-90° / +90° image flip)
2D-DNR	Configurable digital noise reduction 1 ~ 16
Wide Dynamic Range	Up to 100dB Dynamic Range with activated WDR
Exposure Adjustment	+1.0, +0.6, +0.3, 0, -0.3, -0.6, -1.0 EV
White Balance	ATW1 / ATW2 / Push / Manual
DSS (Sens-up)	Configurable digital slow shutter 2X ~ 16X
Backlight Compensation	BLC On/Off (possible to designate zone)
Focus Assistant	6211IR Video display to simplify the focus point adjustment
SNR	>50dB

IR ILLUMINATOR		
IR LED	6211IR	High Power IR LED x 10 (850nm)
	6311IR	High Power IR LED x 14 (850nm)
IR Working Distance	6211IR	max. 30m
	6311IR	max. 35m
SMART IR		Automatically adjust the infrared light to the best, according to the brightness of the scene
VIDEO		
Video Compression		H.264 Baseline, Main, High profile (MPEG-4 Part 10/ AVC), MJPEG (Motion JPEG)
Video Streaming		Dual Stream, Independent Configurable H.264: Controllable frame rate and image resolution, bandwidth limitation (CVBR/CBR) MJPEG: Controllable frame rate and image resolution, JPEG quality
Resolutions	16:9 mode	1920x1080, 1280x720, 1120x630, 960x540, 800x450, 640x360, 480x270, 320x180
	4:3 mode	SXGA(1280x960), XGA(1024x768), SVGA(800x600), PAL(720x576), NTSC(720x480) VGA(620x480), QVGA(320x240)
Frame Rate		H.264: Configurable up to max 30fps in all resolution* MJPEG: Configurable up to max 30fps in all resolution*
Motion Detection		Max. 8 zones with independent configuration of detection sensitivity and target object size
Video Stabilization		Supported for First/Second Stream and Snapshot
Defogging		Selectable Defogging level (low, medium, high)
Burnt-in Text		Free positioning of display for time/ data/ name (name up to 48 signs)
Privacy Mask Zones		4 flexible configurable regions
Analogue Video		NTSC/PAL Video Signal (1.0Vp-p, 75Ω)
NETWORK		
Ethernet Standard/IP		10 / 100 Base-T / IPv4, IPv6
Protocol		QoS Layer 3 DiffServ, TCP/IP, UDP/IP, HTTP, HTTPS, FTP, RTSP, RTCP, RTP/UDP, RTP/TCP, mDNS, UPnP™, SMTP, DHCP, DNS, DynDNS, NTP, SNMPv1/v2c/v3(MIB-II), IGMP, ICMP, SSLv2/v3, TLSv1, SRTP, RTMP
Users Connection		Live viewing for up to 10 clients
Security		HTTPS(SSL), IP Filtering, Multi-level access with password protection

GENERAL	
Edge Storage	Via micro SD/SDHC card (up to 32GB) for continuous or event recording. Search interface for event files, playback and download (card not included).
Application Programming Interface	Software Development Kit (SDK) available ONVIF compliant
Event Metadata Streaming RTSP/RTP	Video Motion Detection(MD), Video Content Analytics(VCA)
ONVIF	Version: 2.41 (Support Profile S and G)
Event Sources	Video Motion Detection, Tamper Detection, Video Content Analytics(VCA), Network Loss/Detect, Network Setting Change, Time (Recurrence/Schedule)
Event Actions	Notification service via TCP/IP, HTTP, multicast or email text messages with snapshot, file upload on external FTP server, local SD memory card recording
Approvals	FCC, CE, KC, RoHs

ELECTRICAL					
Power Source	DC 12V / PoE (IEEE 802.3af)				
Power Consumption	<table border="1"> <tr> <td>6211IR</td> <td>Max. 5 W @ DC 12</td> </tr> <tr> <td>6311IR</td> <td>Max. 7W @ DC 12V</td> </tr> </table>	6211IR	Max. 5 W @ DC 12	6311IR	Max. 7W @ DC 12V
6211IR	Max. 5 W @ DC 12				
6311IR	Max. 7W @ DC 12V				

ENVIROMENT	
Operation Temperature	PoE / DC12V: 0°C ~ 40°C (32°F ~ 104°F)
Operating Humidity	Up to 85% RH, Non-condensing

MECHANICAL					
Material	Plastic (ABS)				
Color	White				
Dimension	Housing: 148 (Φ) x 100 (H) mm, Dome: 100 (Φ) mm				
Weight (Approx)	<table border="1"> <tr> <td>6211IR</td> <td>430g (0.95 lbs)</td> </tr> <tr> <td>6311IR</td> <td>470g (1.04 lbs)</td> </tr> </table>	6211IR	430g (0.95 lbs)	6311IR	470g (1.04 lbs)
6211IR	430g (0.95 lbs)				
6311IR	470g (1.04 lbs)				

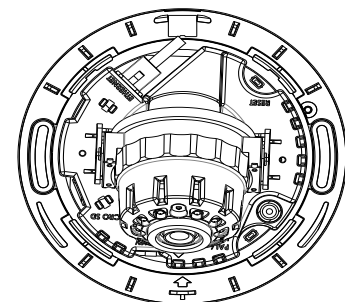
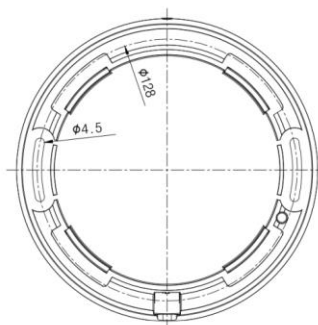
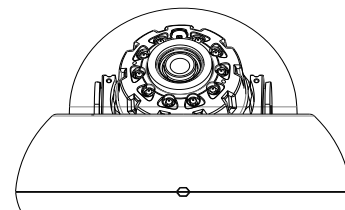
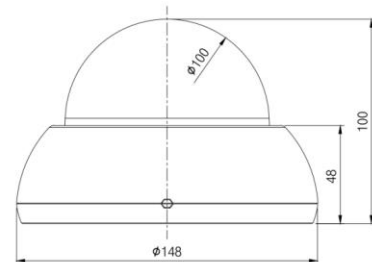
*If VCA is activated, frame rate is limit to max15fps@1080p. Limitations are based on V.1.9.0 firmware release and could be changed without notice.

**Only available with RC3402HD-6311IR

VIDEO CONTENT ANALYSIS (Included as Standard)	
High Performance	Advanced tracking algorithm and low false alarm rate
Easy to Use	Intuitive web browser interface
Detection Zones and Rules	Up to 40 zones (multi-segment polygons and lines) 60 VCA filter rules in total
On-screen Display	Real-time display of tracking data and events via activeX plug-in in IE browser
Burnt in Annotation	Allows the VCA annotation to be burnt into the raw video stream for displaying on third party application
Tamper Detection	Recognize camera tampering via VCA detection (defocusing, lens covering, camera moving)

VIDEO CONTENT ANALYSIS (Option extension License)	
Available License	VCAdetectIP, VCAcountIP, VCAsurveillanceIP, VCAadvancedIP, VCAprofessionalIP
VCA Detection Filters	Objekt: Enter, Exit, Appear, Disappear, Stop, Direction, Dwell, Speed, Unauthorized Access, Counting Line, Color Filter, Object Classification
VCA Features	<ul style="list-style-type: none"> - Up to 20 Onscreen Counter Displays - Counting-Line for accuracy people and vehicle counting with local database and reporting service - VCA calibration via 3D tools for right object size detection - Several definable object class to include into the detection rules for the VCA alarm - 10 colors in total to distinguish objects by color - People tracking mode to tracks individuals separately among overlapped multiple people - Heatmap Report shows relative crowd density of the 24 hour period (criterion: midnight)
Logical Rules	Extension of alarm rules using logical operators (AND, OR..) for the VCA detection filters of created zones / lines
Info VCA	Details regarding supported VCA filters and features of the different extension licenses find on RIVA Product Overview document

Dimension (Unit: mm)

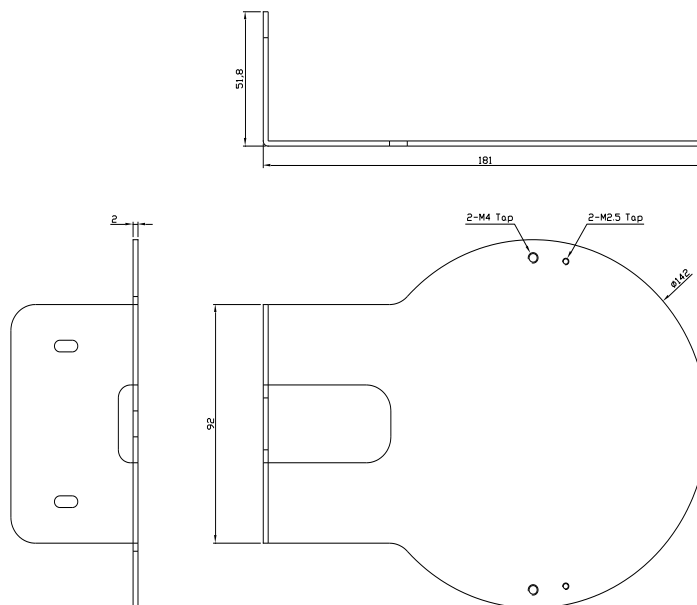


Accessories

Wall Mount Bracket

Model: WMB-3400

Weight: 347g (0.77lb)



Ceiling Mount Bracket

Model: CMB-3400

Weight: 574g (1.26lb)

