



## REMOTE INDICATOR type RI 31 type RI 31S



### Instruction manual (Rev.5/07)

#### 1. INTRODUCTION

Remote indicator has been designed to duplicate the alarm signal for fire condition, given by the fire detectors. Remote indicator RI 31 gives out a light signal, RI 31S gives out a sound signal. The devices can be used independently for light and sound signalling when included in other systems.

#### 2. TECHNICAL DATA

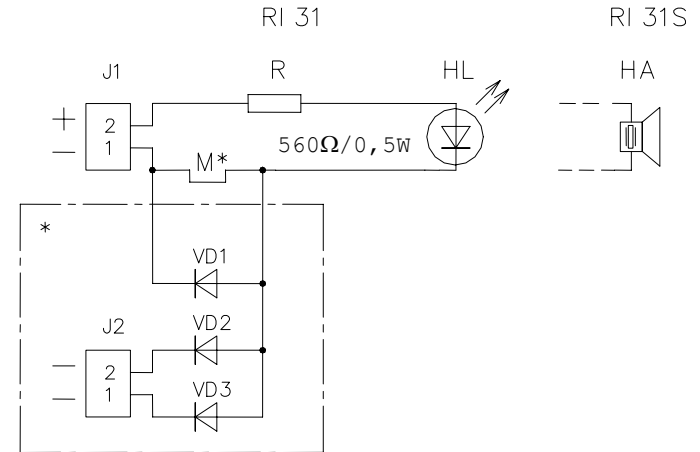
2.1. Power supply	- ( 5 to 30)V DC
2.2. Alarm state current at 24V DC	
- RI 31	- 40 mA
- RI 31S	- 11 mA
2.3. Connection to fire detector	- two-wire line
2.4. Colour of the light signalling /RI 31/	- red
2.5. Sound pressure /RI 31S/	- at least 60 dB
2.6. Degree of protection	- IP 40
2.7. Operational temperature range	- minus 10°C to 60°C
2.8. Relative humidity resistance	- (92 <sup>+3</sup> <sub>-2</sub> )% at 35°C
2.9. Dimensions	- (75x75x22) mm
2.10. Weight	- 0,04 kg

#### 3. STRUCTURE

The Remote Indicator consists of a cover and a base. A circuit board with a terminal and a LED /RI 31/ or piezocrystal sound indicator / RI 31S/ are mounted on the base - see Fig.1.

Upon customers request the remote indicators RI 31 and RI 31S can be delivered with a three input control.

When used independently, you should consider the value of the resistor R and the power supply. In this case the permissible current through the LED /piezo emitter/ shall be determinant.



\* Three input control option; the bridge M has been cut off.

Fig.1. Circuit diagram

#### 4. MOUNTING

- 4.1. Remove the cover by pressing the click.
- 4.2. Fix the base on the wall or ceiling, using the appropriate fixings.
- 4.3. Feed the connection cable through the cable entry in the centre of the base and connect it to the terminals "+" and "-".
- 4.4. Replace the cover on the base.

#### 5. WARRANTY

The warrant period is 36 months from the date of purchase, providing that the requirements stated in the service schedule have been observed.