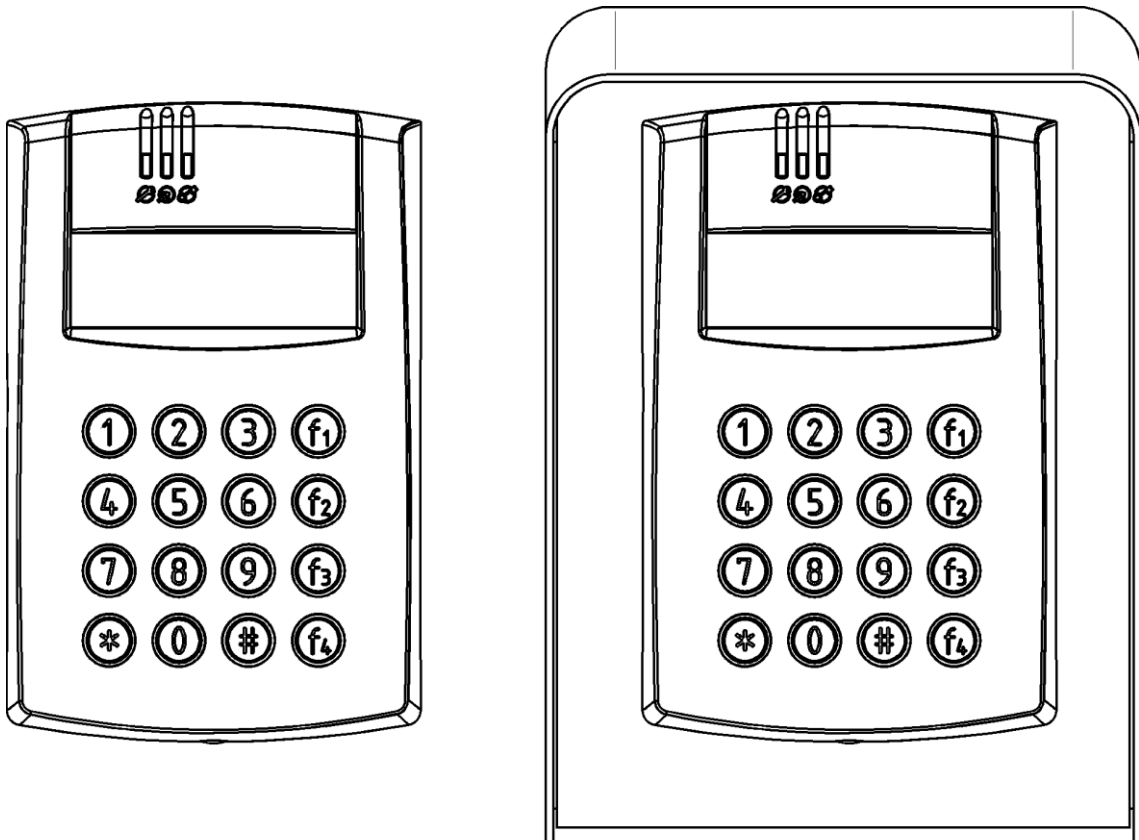


Roger Access Control System

Installation guide for PR602LCD type access controller

Firmware version: 1.18.6 or newer

Document version: Rev. J



rcdr12

Contents

1. Introduction	3
1.1 This manual	3
2. Description and specification	3
3. Installation	4
3.1 Terminals/wires and connection diagram	4
3.2 LED indicators	6
3.3 Power supply	6
3.4 Connection of door lock	6
3.5 Communication with controller	7
3.6 Communication of controller with peripheral devices	7
3.6.1 PRT reader, XM expanders and HRT82FK panel (RACS CLK/DTA)	7
3.6.2 PRT and third party readers (Wiegand and Magstripe)	8
3.7 Input and output lines	8
3.7.1 Inputs	8
3.7.2 Relay outputs	9
3.7.3 General purpose outputs	9
3.8 Wall mounting	10
3.9 Installation guidelines	12
4. Configuration	12
4.1 Controller address	12
4.1.1 Addressing during firmware update (Fixed ID)	12
4.1.2 Addressing during Memory Reset procedure	13
4.1.3 Addressing by means of PR Master software	13
4.1.4 Addressing by means of command entered with keypad	13
4.2 Memory Reset procedure	13
4.2.1 Simplified Memory Reset procedure	13
4.2.2 Full Memory Reset procedure	13
4.3 Controller programming	14
4.4 Firmware update	14
5. Ordering information	15
6. Product history	15

1. INTRODUCTION

1.1 This manual

This manual contains minimum information that is necessary to properly install devices and to perform initial tests. Following documents which are available at www.roger.pl supplement this manual:

- Functional description of PRxx2 series controllers
- PR Master User Manual

Designation PR602LCD type controller applies to all versions of this controller. PR602LCD-DT controllers are successors to the older and discontinued PR602LCD controllers.

2. DESCRIPTION AND SPECIFICATION

PR602LCD type controller is single door access controller used in RACS 4 access control system. Both versions of PR602LCD-DT i.e. PR602LCD-DT-I and PR602LCD-DT-O controllers are functionally identical, but differ in regard of working conditions. The first one is just sole controller installed indoors while the second one includes both the controller and ME-7 metal enclosure and can be installed outdoors. Both devices replace older PR602LCD controllers which included only built-in EM125kHz proximity card reader. PR602LCD-DT controllers include both EM125kHz and MIFARE® readers. This MIFARE reader enables serial number (CSN) reading for such cards as MIFARE Ultralight/Classic/Plus/Desfire. The summary of all PR602LCD versions is given in table 1.

Name	Environmental conditions	Built-in proximity card readers	Connection
PR602LCD-DT-I	Indoor	MIFARE and EM125kHz	Screw terminals
PR602LCD-DT-O	Outdoor due to ME-7 metal enclosure	MIFARE and EM125kHz	Screw terminals
PR602LCD-I (discontinued)	Indoor	EM125kHz	Screw terminals
PR602LCD-O (discontinued)	Outdoor	EM125kHz	Connection cable

The new, factory-made controller has the address ID=00 and MASTER proximity card is included. The card can be used for initial tests after installation. Additional external reader operating in RACS CLK/DTA (PRT series terminal), Wiegand or Magstripe format can be connected if it is required to provide read in and read out control. Moreover controllers are equipped with LCD, numeric keypad and functions keys intended for T&A (Time&Attendance) applications.

Controllers can be configured with PR Master software installed on computer and they can be connected to computer by means of communication interface e.g. UT-2USB, UT-4DR, RUD-1 or by means of CPR32-NET network controller.

Supply voltage	Nominal 12VDC, min./max. range 10-15VDC
Proximity cards	PR602LCD-DT: EM 125 kHz (UNIQUE) according to EM4100/4102 and 13.56MHz according to ISO14443A and MIFARE PR602LCD: EM 125 kHz (UNIQUE) according to EM4100/4102
Reading distance	Up to 15 cm for ISO cards (depends on card type and quality)
Avg. current consumption	100mA

Tamper	Isolated contact, NC type, 24V/50 mA rated
Inputs	Three (IN1..IN3) NO/NC inputs, electrically biased to +12V via 15 k Ω resistor, triggering level approx. 3.5V
Relay output	One (REL1) relay output with single NO/NC contact, 30V/1.5A
Transistor outputs	Two (IO1,IO2) open collector outputs, 15VDC/1A
Distances	Between controller and communication interface (RS485): max. 1200m Between reader and controller: max. 150 m Between controller and I/O expanders: max. 150 m
Environmental class (according to EN 50131-1)	PR602LCD-DT-I and PR602LCD-I: Class I, indoor general conditions, temperature: +5°C to +40°C, relative humidity: 10 to 95% (no condensation) PR602LCD-DT-O and PR602LCD-O: Class IV, outdoor general conditions, temperature: -25°C to +60°C, relative humidity: 10 to 95% (no condensation)
IP code	PR602LCD-DT-I and PR602LCD-I: IP41 PR602LCD-DT-O: IP54 PR602LCD- O: IP65
Dimensions HxWxD	PR602LCD-DT-O (incl. ME-7) 220 x 156 x 104 mm Remaining PR602LCD: 170 x 110 x 42 mm
Weight	PR602LCD-DT-O (incl. ME-7): approx. 1150g Remaining PR602LCD: approx. 410g
Certificates	CE

3. INSTALLATION

3.1 Terminals/wires and connection diagram

PR602LCD-DT-I, PR602LCD-DT-O and PR602LCD-I controllers are equipped with screw terminals, while PR602LCD-O controller is equipped with connection cable.

Wire colour	Screw terminal	Description
Red	12V	12VDC power supply
Black	GND	Ground
Pink	IN1	IN1 input line
Blue	IN2	IN2 input line
White-yellow	IN3	IN3 input line
Brown	RS485 A	RS485 communication bus
White-green	RS485 B	RS485 communication bus
White	CLK	RACS CLK/DTA comm. bus
Green	DTA	RACS CLK/DTA comm. bus
Yellow-brown	IO1	IO1 output line
Brown-green	IO2	IO2 output line
Violet	REL1-NO	REL1 relay output (NO)
Red-blue	REL1-COM	REL1 relay common terminal

Gray-pink	REL1-NC	REL1 relay output (NC)
Yellow	TAMPER A	Tamper switch
Gray	TAMPER B	Tamper switch

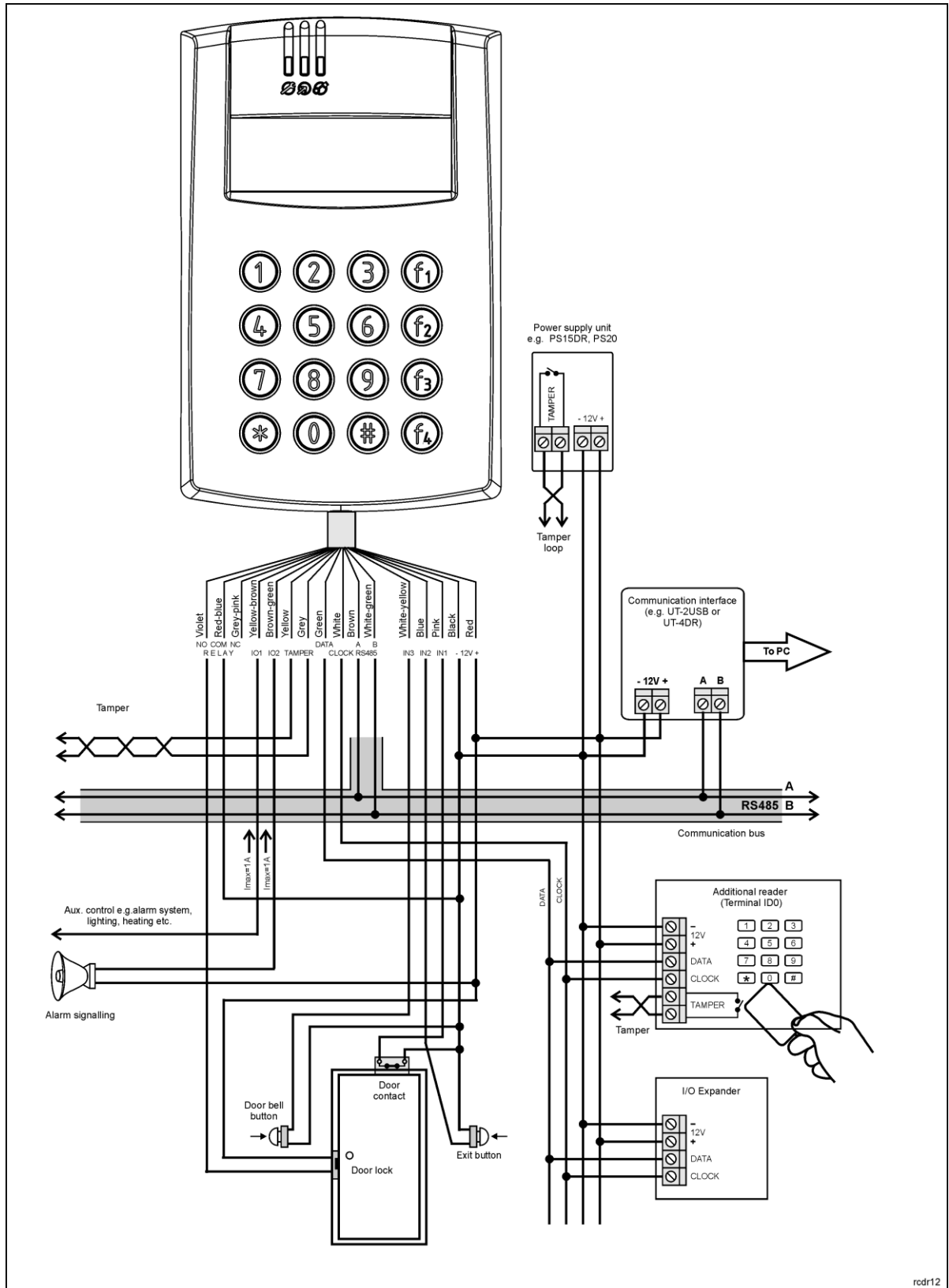





Fig. 1 PR602LCD type controller connection diagram

3.2 LED indicators

Controllers are equipped with 3 LED indicators. Their functions and colours are specified in table 4 below. Functioning of LEDs can be verified by means of included MASTER card after connection of power supply to the controller.

Symbol	Name	Colour	Description
	STATUS	Red/Green	Armed/Disarmed Mode respectively
	OPEN	Green	Door unlocking
	SYSTEM	Orange	Various system functions and programming

3.3 Power supply

Controllers require 12VDC nominal power supply. The power should be connected to the 12V line and GND line. Additionally, the GND line can be used as reference potential for the RS485 bus, IN1-IN3 input lines and RACS CLK/DTA bus. The power supply can be provided with power supply unit (e.g. PS-15DR, PS20) which can be equipped with backup battery in order to ensure operation of access control in case of power failure.

Note: All devices connected to RS485 bus (including controllers) should have the same supply minus (GND). In order to ensure this, all the GND terminals from various power supply units within the system should be connected with each other using separate wire. Alternatively, the common supply minus of the entire system can be earthed however only in one point.

3.4 Connection of door lock

In majority of cases, door locking devices are inductive type. It means that overvoltage (voltage surge) can occur when current flow is interrupted and it can interfere with the controller electronic components. In extreme cases it may result in improper operation of the controller or even freeze. Moreover, overvoltage condition causes quicker wear of relay contacts. In order to limit this adverse effect, it is necessary to use a general type semiconductor diode e.g. 1N4007 (one piece of such diode is included with the controller). The diode should be connected as close as possible to the inductive element (electric strike or magnetic lock).

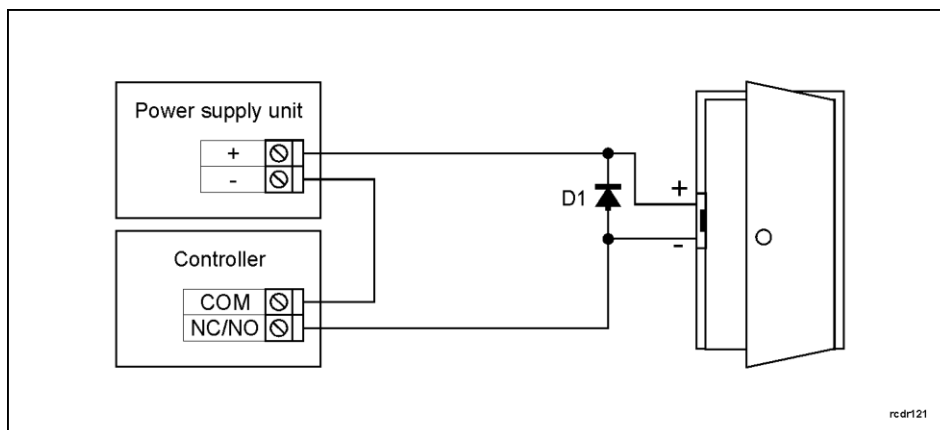


Fig. 2 Connection of door lock

3.5 Communication with controller

RS485 bus and UT communication interface (e.g. UT-2USB) are used for communication with controller. Single RS485 bus creates network (subsystem) and up to 32 controllers with unique addresses in range of 00..99 can be connected to the bus. For the communication with distant subsystems it is required to use UT-4DR or UT-4 v2.0 communication interface or CPR32-NET network controller as all of them enable communication through computer network (LAN or WAN). The RS485 bus consists of two signal lines A and B. In the RACS 4 system any topology can be used (star, tree or any combination of them, except for loop) in order to connect controllers in network (subsystem). The matching resistors (terminators) connected at the ends of transmitting lines are not required. In most cases communication works with any cable type (standard telephone cable, shielded or unshielded twisted pair etc.) but the recommended cable is unshielded twisted pair (U/UTP cat.5). Shielded cables should be limited to installations subject to strong electromagnetic interferences. The RS485 communication standard used in the RACS 4 system guarantees proper communication in a distance of up to 1200 meters as well as high resistance to interferences.

3.6 Communication of controller with peripheral devices

The communication of controller and peripheral devices can be established by means of RACS CLK/DTA, Wiegand or Magstripe bus. RACS CLK/DTA is the addressable bidirectional communication standard developed by Roger company. Addresses of all devices connected to CLK and DTA lines must be properly configured in range of 0..15. Factory default address of peripheral devices can be changed according to procedures specified in their manuals but in majority of cases it is not necessary to modify the addresses at all. Standard unshielded signal cables (e.g. U/UTP cat. 5) with maximal length of 150m can be used for RACS CLK/DTA communication. Practically, devices communicating on RACS CLK/DTA bus can be connected to the controller in distance up to 500m, but such conditions are not guaranteed by the manufacturer. Wiegand and Magstripe communication standards are commonly used in access control industry but their offer less functionalities than RACS CLK/DTA standard.

3.6.1 PRT reader, XM expanders and HRT82FK panel (RACS CLK/DTA)

PR602LCD type controller is equipped with built-in reader and can operate with external PRT series reader, XM-2 I/O expander, up to four XM-8 expanders dedicated to access control in elevators and HRT82FK function key panel – see fig. 3. The address of PRT reader must be ID=0 (i.e. default address), the address of XM-2 expander must be ID=5, addresses of XM-8 expanders must be in range of ID=8..11 and the address of HRT82FK must be ID=12. All mentioned devices must be connected to CLK and DTA lines of the controller.

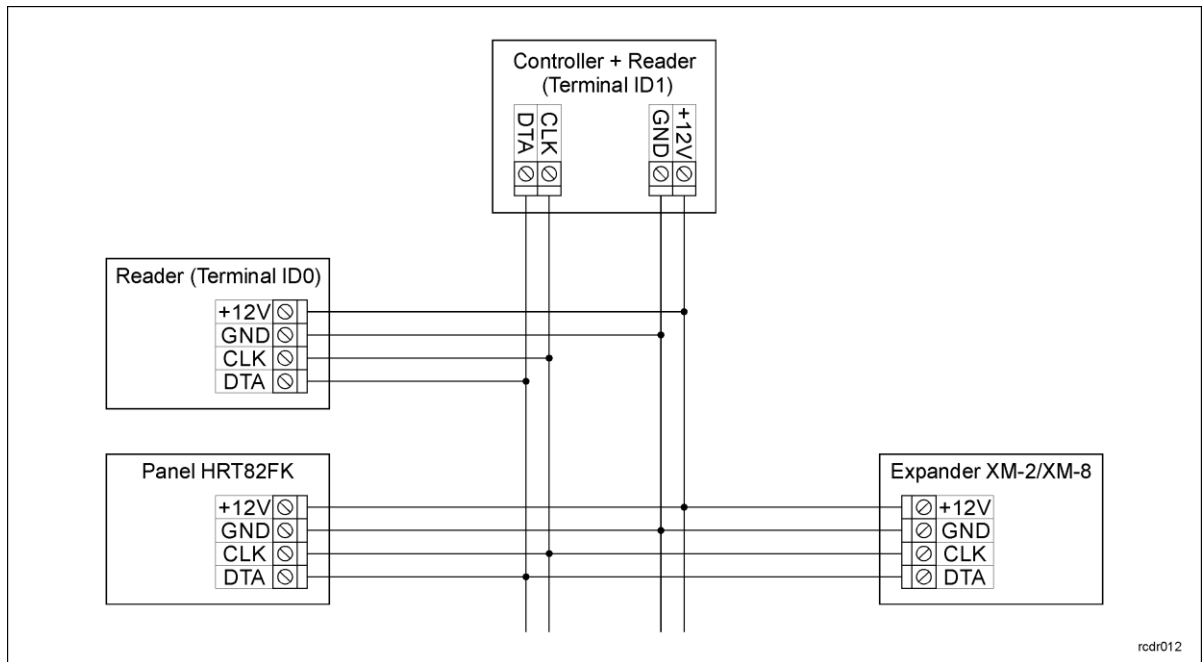


Fig. 3 Connection of PRT series readers, XM-2/XM-8 expanders and HRT82FK panel

3.6.2 PRT and third party readers (Wiegand and Magstripe)

The connection of Wiegand/Magstripe reader is shown in fig. 4. In case of Wiegand/Magstripe readers it is necessary to select adequate data format, otherwise controller will not recognize transmissions from the reader. Data format can be selected by means of PR Master software. If particular Wiegand/Magstripe reader does not work properly with the controller, it might be necessary to use PR-GP module. The PR-GP works as electrical interface between reader and controller. In order to determine if PR-GP might be useful, please contact Roger technical support.

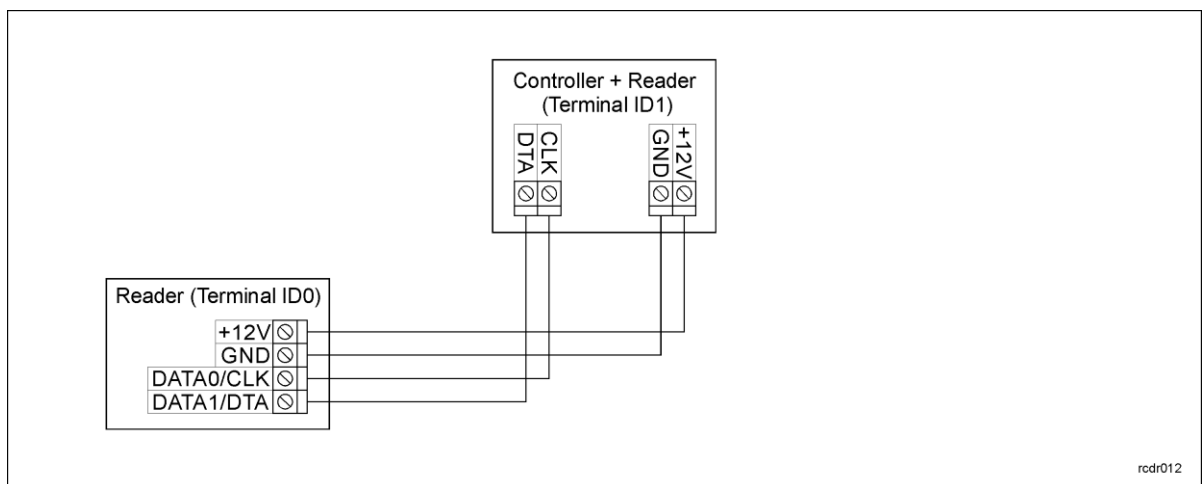


Fig. 4 Connection of Wiegand/Magstripe reader

3.7 Input and output lines

Functions are assigned to input and outputs by means of PR Master software. Default function for REL1 relay output is door unlocking.

3.7.1 Inputs

All inputs (IN1..IN3) of controllers have identical electric structure and can be configured as NO or NC lines using PR Master software. The NO input is triggered by shorting it to supply minus (GND) while the NC input must be normally shorted to supply minus (GND) and it becomes triggered when

connection with GND is interrupted. Every input is internally connected (pulled up) to the power supply plus (+12V) through a 15k Ω resistor.

3.7.2 Relay outputs

Controllers offer one relay output (REL1) with single switching contact. Maximum load for REL1 equals to 30V/1.5A. In the normal state (relay is off) the NC-COM contacts are shorted. In the triggering state (relay is on) the NO-COM contacts are shorted. In case of power outage both relays remain in the off state.

3.7.3 General purpose outputs

Controllers offer two transistor outputs (IO1, IO2). Both outputs are open collector type i.e. in normal (off) state are pulled to supply plus via 15k Ω resistor and when in trigger (on) state they short to supply minus. Maximum load for each output equals to 15VDC/1A. In case of overcurrent outputs are automatically switched off and controller automatically restarts.

3.8 Wall mounting

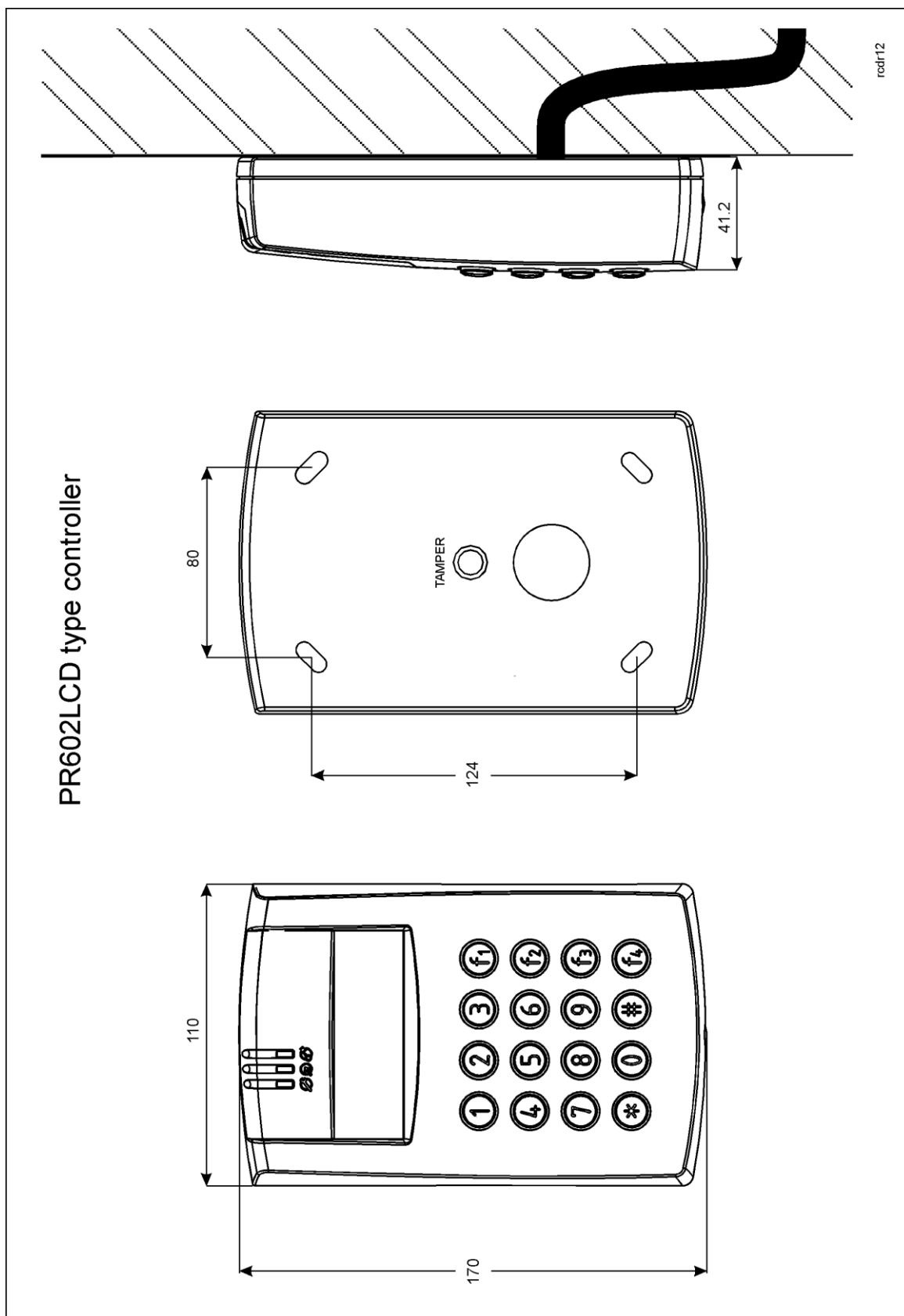


Fig. 5 Installation of PR602LCD type controller

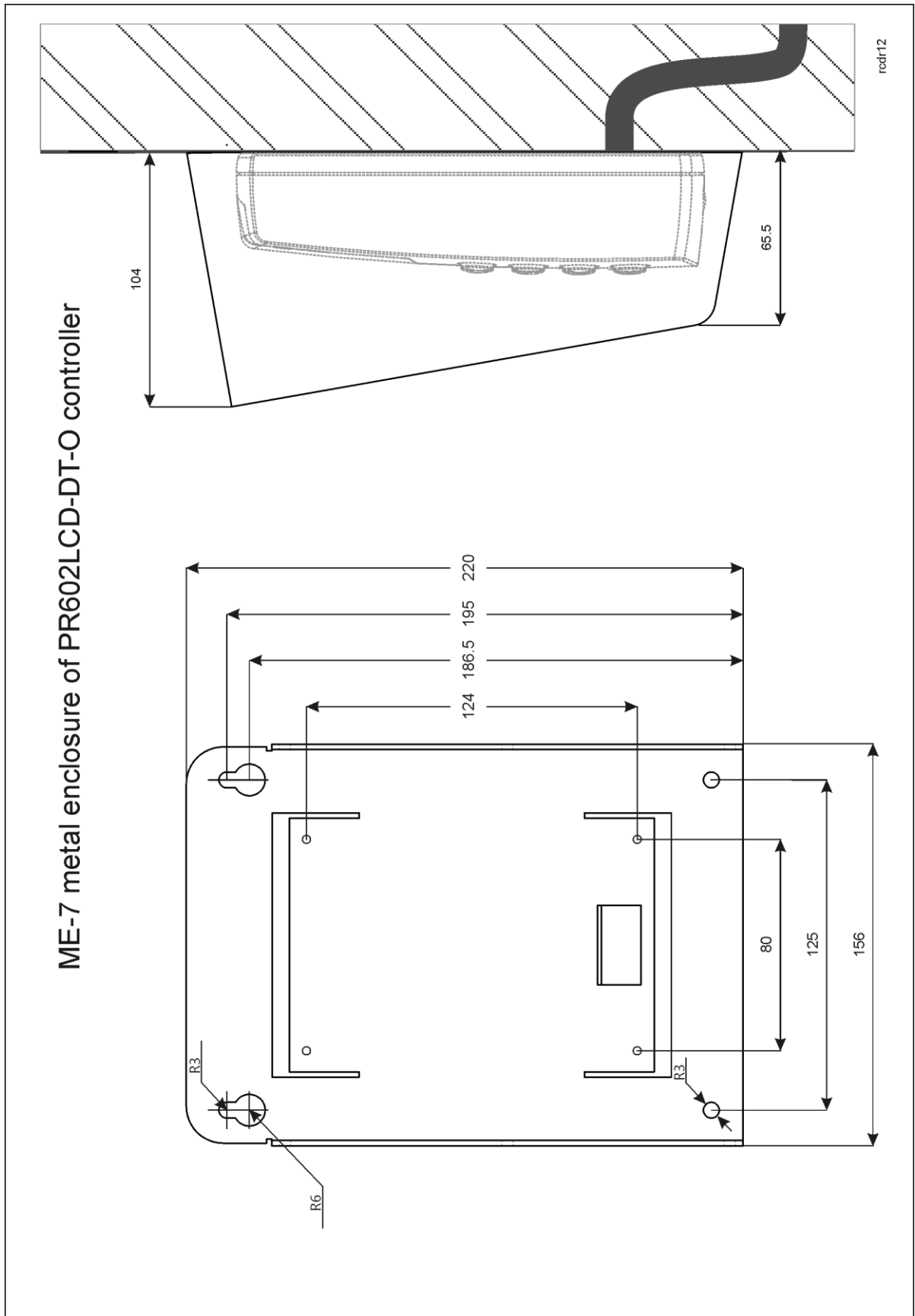


Fig. 6 Installation of PR602LCD-DT-O controller

3.9 Installation guidelines

- Install devices in such way as to ensure easy access to screw terminals and jumpers (RST, FDM) located inside the controller – see fig. 7.
- Prior to controller installation it is recommended to configure its address (ID number) – see 4.1 Controller address. Factory default address is ID=00.
- The controller is delivered with MASTER proximity card, however any proximity card in EM 125kHz (UNIQUE) or MIFARE standard (in case of PR602LCD-DT) can be programmed as MASTER card.
- The controller should be installed at wall in vicinity of controlled door.
- All electric connections must be made with power supply switched off.
- All devices connected to the same communication bus (RS485 and RACS CLKD/DTA) should be connected to the same negative potential (GND). Therefore all GND terminals from various power supply units used in the system should be connected with each other.
- General purpose diode e.g. 1N4007 should be always connected in parallel and as close as possible to the door locking device (magnetic lock, electric strike, relay, contactor).
- It is required to install readers in minimal distance of 0.5m from each other. If two readers have to be installed on opposite sides of the same wall, it is recommended not to place them directly opposite (in the same axis). If this condition cannot be fulfilled then place metal plate between reader and wall as well as non-metal spacer with 10mm minimal thickness between reader and metal plate.
- Because of relatively low magnetic field readers should not interfere with other devices, however its operation can be disrupted by devices generating strong electromagnetic field.
- If the range of card reading is significantly lower than specified in technical documentation then consider relocation of the reader.
- Readers can be installed on metal surfaces but in such case reduction of reading distance should be expected. The reading distance reduction effect can be minimized by installing readers on non-metal spacer with minimal thickness of 10 mm (e.g. PVC).

4. CONFIGURATION

4.1 Controller address

If controller works autonomously (standalone mode), then address setting can be skipped and default address ID =00 can be used but if the controller is to be connected with other controllers by means of RS485 bus and operate in network system, then it is necessary to assign unique address to such controller (ID number from range 00..99). Two or more devices with the same address result in communication conflict and make a proper communication with these devices impossible. Following addressing methods are available:

- During update of controller firmware by means of RogerISP software (so called Fixed ID)
- Manually during Memory Reset procedure
- By means of PR Master software
- Manually with command entered from keypad

The first method enables configuration of hardware address while the remaining ones enable configuration of software addresses. The main difference between these two addressing methods is such that software address contrary to hardware address can be modified using any of mentioned methods. Therefore Fixed ID has the highest priority and the other methods have lower priority.

Note: A new controller can be connected to the existing system without the necessity to change its address but only if no other controller operates with default address ID=00. Once the controller is connected to the RS485 communication bus, it should be detected by means of PR Master software and new address should be configured.

4.1.1 Addressing during firmware update (Fixed ID)

FixedID can be set during update of the controller firmware by means of RogerISP software. Prior to firmware upload, RogerISP software offers the possibility to set Fixed ID address in range of 00..99 or disable it (FixedID=None). Once the FixedID is selected and uploaded to the controller

software addressing is ignored. In order to disable or modify FixedID it is necessary to start firmware upload procedure.

Note: When FixedID is configured then controller address cannot be modified based on software addressing method. FixedID address is maintained even in case of controller configuration error. Therefore controller can be always detected on the communication bus with the same address by means of PR Master software.

4.1.2 Addressing during Memory Reset procedure

Software address can be configured during Memory Reset procedure – see 4.2 Memory Reset procedure.

Note: Software address is effective only if FixedID is None.

4.1.3 Addressing by means of PR Master software

Software address can be configured by means of PR Master software. In such case connect the controller to PC via communication interface (e.g. UT-2USB, UT-4DR) or via CPR32-NET network controller, detect the controller and configure the address.

Note: Software address is effective only if FixedID is None.

4.1.4 Addressing by means of command entered with keypad

All commands for manual programming of controller by means of keypad are specified in the document Functional description of PRxx2 series controllers, which is available at www.roger.pl. Following Keypad Command can be used for addressing:

```
[*][0][0][#][Login][new ID address][#]
```

Note: Keypad Command requires previous configuration by means of PR Master software in regard of its schedule and authorization. By default the command is disabled.


4.2 Memory Reset procedure

Memory Reset procedure erases current settings and restores default factory settings. Additionally Full Memory Reset enables to program new MASTER card/PIN as well as new address of the controller. After Memory Reset procedure the controller automatically enters normal working mode.

Note: If current address of the controller is hardware type (see 4.1 Controller address) i.e. FixedID then address selected during Memory Reset procedure is ignored.


4.2.1 Simplified Memory Reset procedure

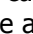

Simplified Memory Reset restores default settings with controller address ID=00.

- Remove connections to CLK and DTA terminals/wires
- Connect CLK with DTA
- Place jumper on Mem. Rst. pins inside controller enclosure (see fig. 7) – continuous acoustic signal shall be generated
- Wait a few seconds until LED OPEN  (green) pulsates
- Remove jumper from Mem. Rst. pins – acoustic signal shall be terminated
- Disconnect CLK and DTA
- After a few seconds the controller shall restart automatically and switch to normal mode

4.2.2 Full Memory Reset procedure

Full Memory Reset restores default settings and enables programming of new MASTER card, MASTER PIN and controller ID address.

- Place jumper on Mem. Rst. Pins inside controller enclosure (see fig. 7) - continuous acoustic signal shall be generated
- Wait a few seconds until LED OPEN  (green) shall start to pulsate
- Remove jumper from Mem. Rst. pins – acoustic signal shall be terminated
- Enter new MASTER PIN (3 to 6 digits) followed with the [#] key or skip this step and press only the [#] key
- Read any card at the reader, this will be a new MASTER card or skip this step and press only the [#] key
- Enter two digits (in range of 00 to 99) by means of keypad, this will be new ID address or skip this step and press only the [#] key so the default ID=00 could be assigned
- After a few seconds the controller shall restart automatically and switch to normal mode

After Memory Reset controller resumes its work with default factory settings and configured address. You can then test its operation using MASTER card or PIN (if available). Using the MASTER card/PIN once activates the REL1 output for 4 seconds (LED OPEN ). Using the MASTER card/PIN twice switches the IO1 output to the opposite state and switches Arm/Disarm Mode (LED STATUS  changes its colour).

4.3 Controller programming

Controllers can be configured by means of:

- PR Master software installed on computer connected to the controller via communication interface (e.g. UT-2USB, UT-4DR) or via CPR32-NET network controller
- Commands entered with keypad (limited settings only)

More information on controller programming can be found in the document Functional description of PRxx2 series controllers as well as in PR Master User Manual, which are available at www.roger.pl.

4.4 Firmware update

The latest versions of firmware and Roger ISP software are available at www.roger.pl. In order to update firmware it is necessary to connect the device by means of RS485 bus to communication interface (UT-2USB or RUD-1) and then connect the interface to PC with installed Roger ISP software. It is not necessary to disconnect the controller from access control system, it is only required to place FDM jumper in order to put the device in firmware download mode. Therefore firmware update can be performed by means of RS485 bus of access control system.

Firmware update procedure

- Place jumper on FDM pins (see fig. 7)

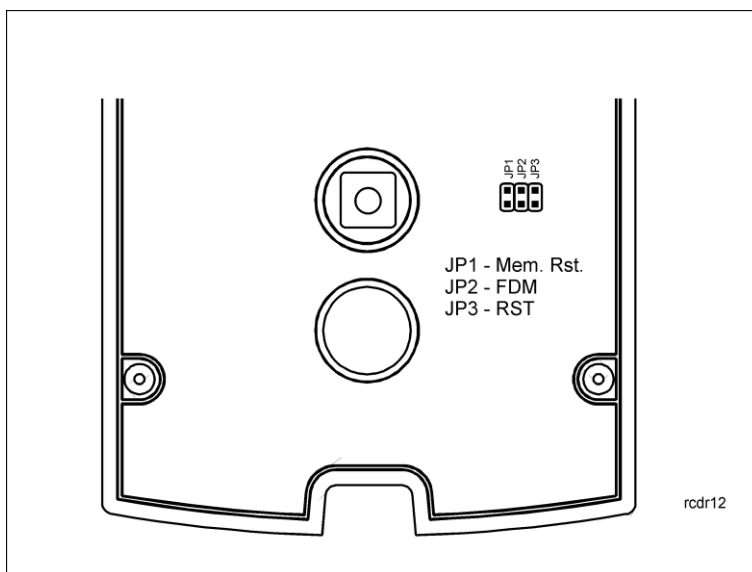



Fig. 7 Location of FDM and RST pins inside controller enclosure

- Reset device (place and remove jumper on RST pins or switch power off/on)
- Start RogerISP software and select communication port (in case of RUD-1 select **USB-RS485 Converter**).
- Press the button **Erase**
- Once more reset device (place and remove jumper on RST pins or switch power off/on)
- In Firmware window select firmware *.hex file (can be downloaded from www.roger.pl) and then select the button **Program**
- After firmware upload remove jumper from FDM pins and reset device (place and remove jumper on RST contacts or switch power off/on)

Note: If the controller is not responding and LED SYSTEM  (orange) is on after firmware update procedure then it is necessary to perform reset – see 4.2 Memory Reset procedure or update the firmware once more.



In case of network system, it is required to restart controller within PR Master software by right clicking particular controller and selecting the option **Restart controller and verify version**.

5. ORDERING INFORMATION

Table 5. Ordering information	
PR602LCD-DT-I	Access controller with built-in EM 125 kHz (UNIQUE) and MIFARE card reader, LCD and keypad. Indoor installation.
PR602LCD-DT-O	Access controller with built-in EM 125 kHz (UNIQUE) and MIFARE card reader, LCD, keypad and ME-7 metal enclosure. Outdoor installation.
PS-15DR	13.8VDC/1.5A power supply unit adapted to installation on DIN 35mm rail
PS-20	13.8VDC/2A power supply unit in metal enclosure and space for 12V/7Ah backup battery
CPR32-NET-BRD	Electronic module of network controller
UT-4DR	Ethernet-RS485 communication interface:
UT-2USB	USB-RS485 communication interface:
RUD-1	Portable USB-RS485 communication interface with 12VDC/0.12A output
XM-2DR	I/O expander
XM-8DR	I/O expander (elevator access control)

6. PRODUCT HISTORY

Table 6. Product history		
Product version	Released	Description
PR602LCD v.1.0	11/2008	The first commercial version of the product
PR602LCD v.1.1	05/2009	Modification of built-in converter
PR602LCD v.1.1	05/2015	Discontinued production
PR602LCD-DT v.1.0	04/2015	The first commercial version of the product

 	<p>This symbol placed on a product or packaging indicates that the product should not be disposed of with other wastes as this may have a negative impact on the environment and health. The user is obliged to deliver equipment to the designated collection points of electric and electronic waste. For detailed information on recycling, contact your local authorities, waste disposal company or point of purchase. Separate collection and recycling of this type of waste contributes to the protection of the natural resources and is safe to health and the environment. Weight of the equipment is specified in the document.</p>
--	---

Contact:
Roger sp. z o.o. sp.k.
82-400 Sztum
Gościszewo 59
Tel.: +48 55 272 0132
Fax: +48 55 272 0133
Tech. support: +48 55 267 0126
E-mail: support@roger.pl
Web: www.roger.pl