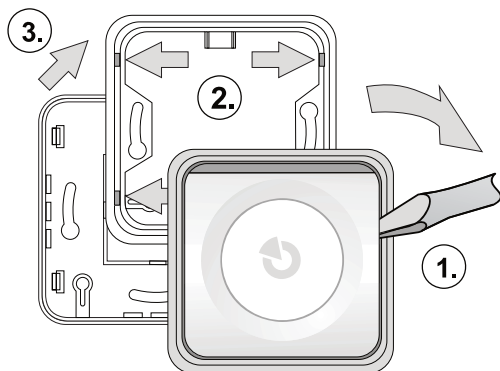


JA-110A Bus internal siren

The JA-110A is a component of the **JABLOTRON JA-100** system. It is used for system alarm indication inside a building, or to indicate other system activities. The siren also serves as a button for silencing the alarm (=confirmation of the presence of a person in the building) or trigger a panic alarm (optional function). The siren should be installed by a trained technician with a valid certificate issued by authorized distributor.

Installation

The siren can be installed in a suitable place either directly onto the plaster or into an embedded wiring box after the removal of its bottom cover.



1. Remove the body of the siren from the frame using a screwdriver by careful levering in the vertical crevice (1.).
2. Push the four tabs (2.) to remove the frame (3.).
3. Prepare a suitable opening and pull the digital bus cable through.
4. Attach the box to the suitable place using screws.



When connecting the siren to the system bus, always switch the power off.

5. Connect the digital bus cable.
6. Assemble the siren parts together. Note: the tamper sensor (7) must be located above the magnet in the bottom part of the plastic. If you are installing the siren into an embedded wiring box (the bottom plastic part is not used), the magnet must be inserted into the siren frame.
7. Proceed according to the control panel installation manual. Basic procedure:
 - a. When the siren is switched on, the yellow LED (1) indicates that the siren has not been enrolled into the system.
 - b. Go to the **F-Link** program, select the required position in the **Devices** window and launch the enrollment mode by clicking on Enroll option.
 - c. Press the button (top or bottom part) – the siren is thus enrolled and the yellow LED (1) goes off.

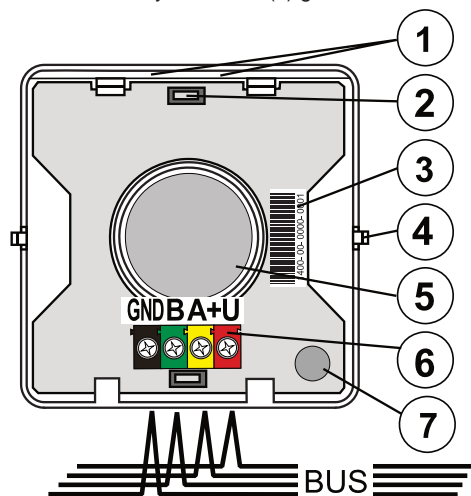


Figure: 1 – LED; 2 – switches; 3 – production code; 4 – plastic posts; 5 – piezo sounder; 6 – digital bus terminals; 7 – siren tamper sensor;

Internal settings of the siren

The siren properties can be set in the Devices window of the F-link. When at the siren position, use the Internal settings option to open a dialog window where you can set (default settings are marked *).

Sections: to set for which sections the siren should indicate an alarm, as well as chirp during entrance / exit delays and setting. The default setting is indication for all sections*.

Reaction: Defines whether the siren should indicate EW (external warning) or **IW*** (internal warning); Alarm indication can also be disabled completely (other functions remain enabled).

Siren chirps: interrupted*, uninterrupted

Alarm indication length: 1, 2, 3*, 4, 5 minutes.

Higher volume: YES / NO* – adjustable only for a more intensive signalling of entrance and exit delays, and sounds during PG output triggering.

Chirps during section control YES / NO* If enabled, the siren chirps once during section setting, twice during unsetting and three times after there was an alarm in the section. The chirp applies only to preset sections.

Entrance and exit delay chirps: YES / NO* If enabled, it chirps all the time of the entrance or exit delay in preset sections.

PG output activity indication

The siren can indicate PG output activity with its chirps

Chirp 1 – slow chirping - 1 per second (for the whole period when the PG is active)

Chirp 2 – rapid chirping - 2 per second (for the whole period when the PG is active)

Chirp 3 - 1 chirp when the PG is activated, 2 chirps when the PG is deactivated

Chirp 4 – a long 20 sec chirp when the PG is activated

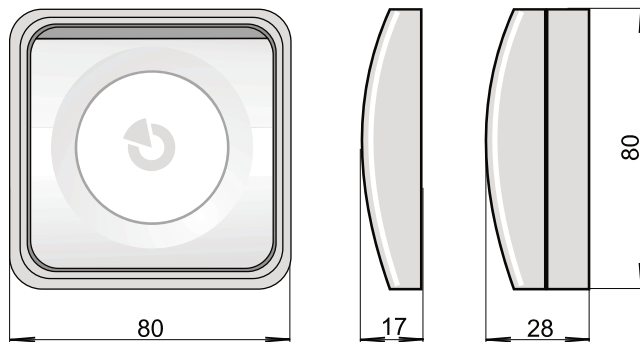
Siren function priorities:

The siren sound has the highest priority, the chirps have a lower priority and the PG output activity indication has the lowest priority (PG1 has a higher priority than PG2 etc). The chirp with a higher priority always terminates the chirp with a lower priority.

Reaction of the system to pressing the siren button

The default setting is that pressing the siren button during an alarm stops siren sound and concurrently confirms the presence of a person in the building (a report is sent). It also can be set (in the *reaction* column in the **Devices** window in the F-Link) the *reaction* to pressing the siren button to a panic alarm. In such a case the system will react to pressing the button with a silent alarm in the section to which the siren position has been enrolled.

When the system is in service mode, the button can be used to test the functioning of the siren.



Technical specifications

Power	from control panel bus 12 V (9...15 V)
Current consumption in standby mode	5 mA
Current consumption for cable choice	30 mA
Siren	piezo electric, 85 dB/m
Dimensions	80 x 80 x 28 mm,
Classification	Grade II
according to	EN 50131-1, EN 50131-4
Operational environment according to	EN 50131-1 II. Indoor general
Operating temperature range	-10 to +40°C
Also complies with	EN 50130-4, EN 55022, EN 60950-1



JABLOTRON ALARMS a.s. hereby declares that the JA-110A is in compliance with the essential requirements and other relevant provisions of Directive 2004/108/EC, 2006/95/EC, 2011/65/EU. The original of the conformity assessment can be found at www.jablotron.com - Technical Support section



Note: Although this product does not contain any harmful materials we suggest you return the product to the dealer or directly to the producer after use. For more detailed information visit www.jablotron.com.