

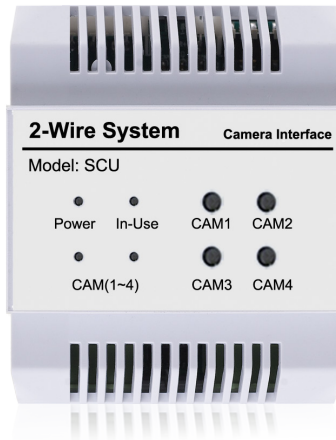
# Product Information

---

---

**DT Accessories**  
**DT-SCU**

---



---

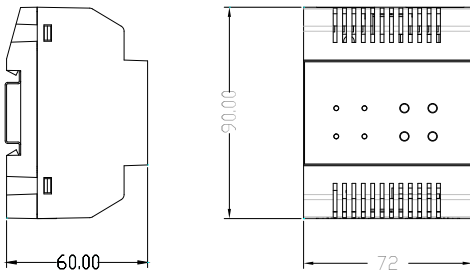
## DESCRIPTION

2-wire system CCTV camera control unit.

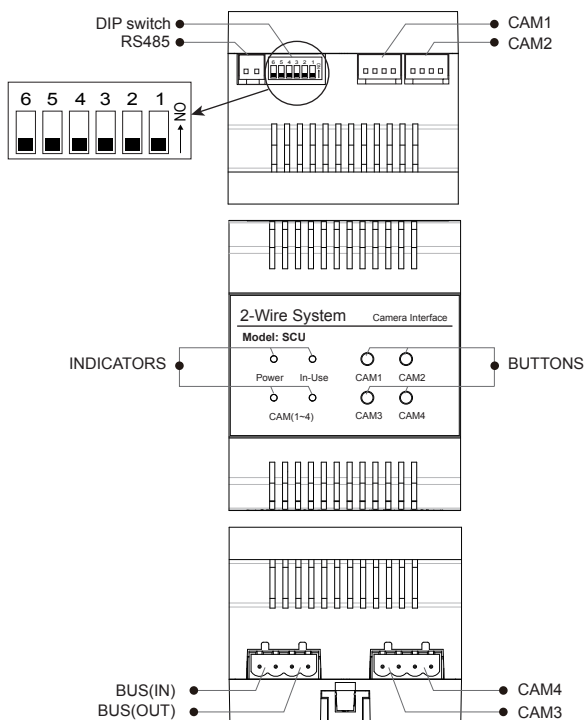
## FEATURES

- ▶ Camera controller for DT system;
- ▶ Support normal CCTV and DT-CAM;

## DIMENSION



# 1.Parts and Functions



**RS485:**Reserved.

**CAM1~2:**Connect to regular analog CCTV(the following called TYPE A Camera).

**CAM3~4:**Connect to 2 wire camera(the following called TYPE B Camera ).

**BUS(IN):**Connect to the bus line, no polarity.

**BUS(OUT):**Connect to the bus line, no polarity.

**BUTTONS:**Press CAM1~CAM4 button, it can control the corresponding video output.

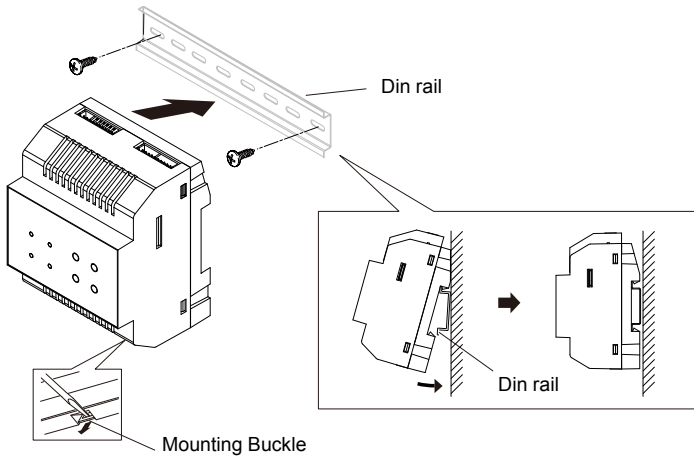
## INDICATORS:

1.**Power:** Working indicator, always on when the SCU work normally.

2.**In-Use:**Video output indicator, always on when the SCU output the video.

3.**CAM(1~4):**Video output indicator.

## 2. Unit Mounting



Step1: Mount the din rail to the wall with screws ;

Step2: Pull down the mounting buckle,then hang the unit on din rail.

## 3. Specification

- Power Supply : DC 26V
- Power Consumption: Standby 0.4W; Working status 0.8W~1W
- Working temperature: -15°C ~ +55°C
- Wiring: 2 wire,non-polarity
- Dimension: 90(H)X72(W)X60(D)mm

## 4. Packing Information



Dimensions: 73(H)×73(W)×108(D)mm  
Gross Weight: 0.23Kg



Carton: 530 (H)×340 (W)×258 (D)mm  
Quantity: 56PCS